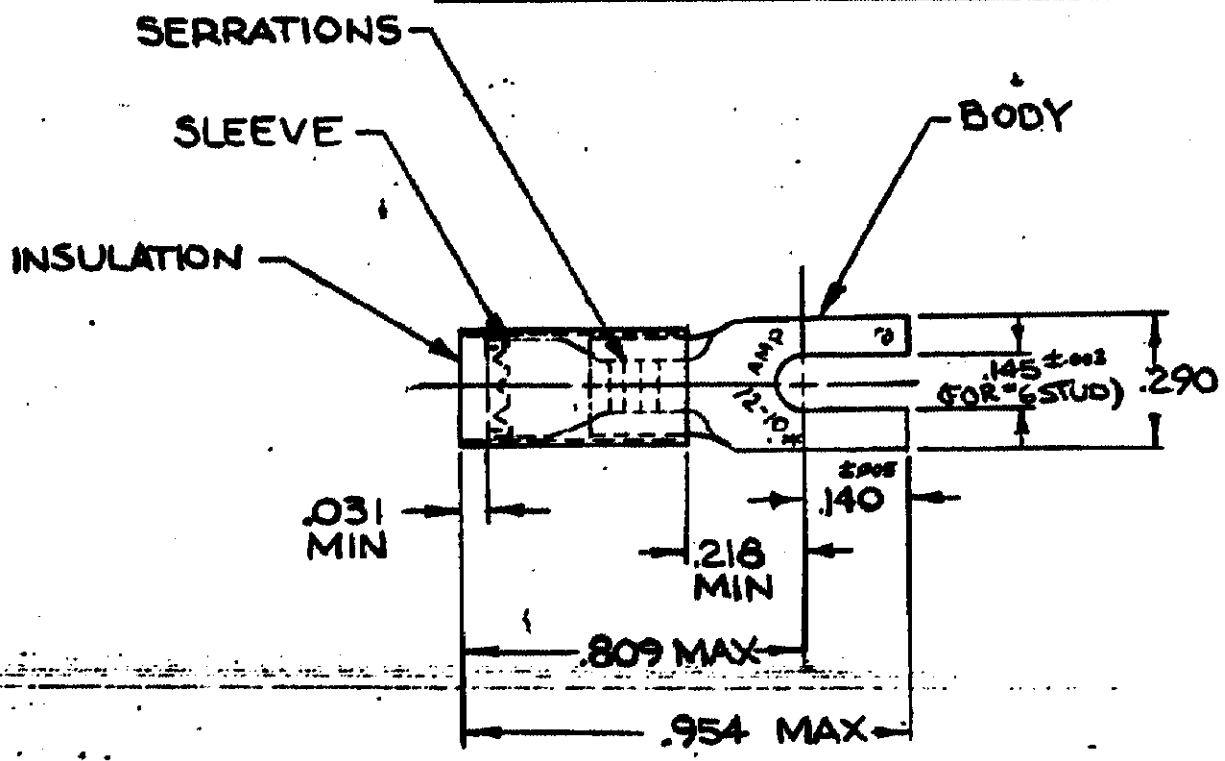


DRAWING MADE IN AMERICAN PROJECTS

LOC **G** (141) DIST

© 1960 BY AMP INCORPORATED, ALL RIGHTS RESERVED, AMP PRODUCTS COVERED BY PATENTS AND/OR PATENTS PENDING.

REVISIONS			
LT#	DESCRIPTION	DATE	APPROVED
A	REDRAWN & REV. P-6080	MM 58-70	Vme
B	ADDED TAPE NO. 1-322985-0	FE 58-71	SBF
C	REV PER G-4732	JT 7/2/78	PT
D	REV/ 0720-0060-93	4-6-93	TO/ml



50	LOOSE PC, BOX	8-322985-2	BODY: COPPER (QQ-C-576) TIN PL (MIL-T-10727) SLEEVE: COPPER (QQ-C-576) INSULATION: NYLON COLOR: YELLOW
	322985 ON TAPE	1-322985-0	
	WIRE TERMINAL	322985	
QTY	DESCRIPTION	PART NO.	MATERIAL & FINISH

UNLESS OTHERWISE SPECIFIED DIMENSIONS ARE IN INCHES
 TOLERANCES ON DECIMALS
 ANGLES

MATERIAL
 SEE TABLE

CONTRACT NO. 4
 DR. *John Miller* 5-8-70
 CHK. *W. Cunningham*
 APPD. *W. Miller* 5-11-70
 REL. *W. Miller* 5-11-70
 DSGR APPD.
 OTHER APPD.

AMP AMP INCORPORATED HARRISBURG, PENNSYLVANIA

NAME: **WIRE TERMINAL**
P.I.D.G - SPADE
WIRE SIZE: 12-10

SIZE: **A** CODE IDENT NO.: **00779** NUMBER: **322985**

SCALE: **NTS** SHEET: **1 OF 1**